

The Maxi HOBBY - TABLE

New
Now in 2 super new finishes

- ▶ 87cm (34¼ins) height is ideal for working while standing up. No bending, kneeling or stooping!
- ▶ Incredibly stable construction; easy-rolling castors are attached to a specially designed reinforced frame, much more stable than a folding or dining room table.
- ▶ Rounded corners keep your projects safe from snags and from children catching themselves accidentally.
- ▶ Handy storage cupboards located on both sides.
- ▶ Storage shelves are adjustable or removable.
- ▶ Entire unit quickly folds down and easily rolls away when not in use.
- ▶ Arrives fully assembled. Table is beautifully finished front and back, inside and out.
- ▶ PLEASE NOTE: Due to its size and weight we regret that this cabinet is too large to be taken up an internal staircase by our driver.

- ▶ A table ideal for Cutting, Quilting, Sewing, smocking in fact any hobby!
- ▶ Storage for both your sewing machine and an overlocker
- ▶ There are storage cupboards on both sides
- ▶ Rounded table corners for safety



Slim & Mobile when closed



Useful storage cupboards both sides...



...one side fitted with an adjustable shelf for larger items...



...the other fitted with removable storage baskets.

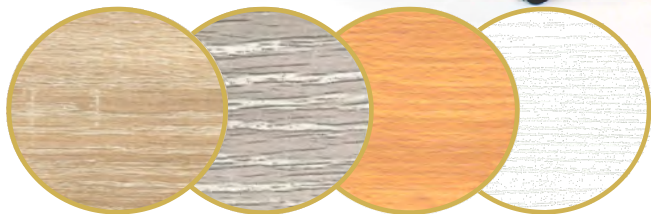
Extra stable double leg design



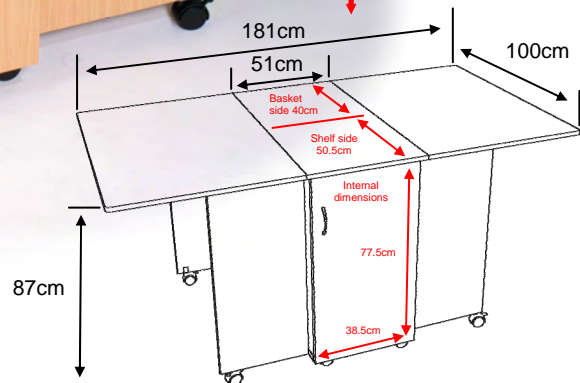
The correct height to stand and work at

**87cm/
34¼ins**

New larger table size



**Weathered Oak, American Grey Oak
Beech & White**



CLOSED - WIDE 100cm (39½") DEEP 51cm (20") HIGH 87cm (34¼")

MODEL 2005 - (The Cutting mat shown is an optional extra- see Pg.29)