

The Maxi OUTBACK

- one of our most compact units that can fit the largest Machines!



The Maxi Outback- Pictured here in our Beech finish

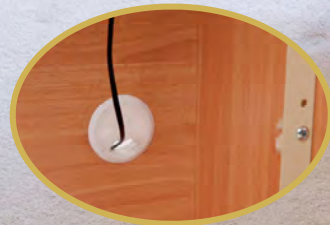
Just 2ft 9ins by 1ft 10ins when its closed!



When the back work area's up, its ideal for working on.

(The Cutting mat shown is an optional extra, pg.29)

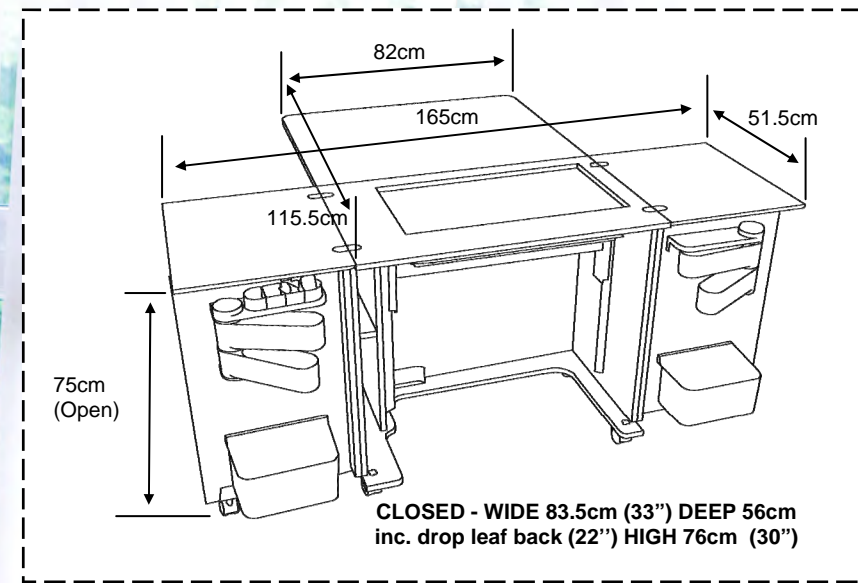
Now fitted with a cable port in the back of the cabinet for improved cable management



Fitted with our 'inset' design where the inset sits inside the aperture on a ledge thus giving an even flusher, smoother, sturdier surface from table top to machine arm.... You'll love it!



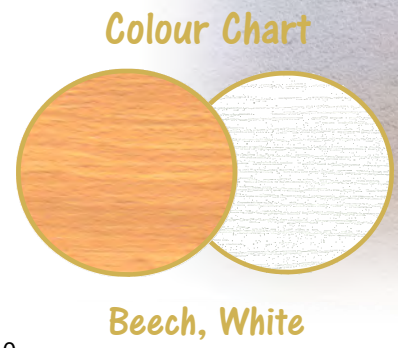
The Maxi Outback is one of our most compact cabinets that will fit virtually all the big long armed sewing/ quilting machines!



Go Electric!
You can have an electric lifter fitted to this model
(See page 37 for more information)

- Fitted with our Maxi-lifter opening (type 1952) which is capable of taking virtually all domestic sewing machines on the market old or new!
- This model arrives fitted with our 3 step push down release air-lift mechanism which means a quick push down moves your machine from storage to flatbed to free-arm positions but this unit also has the option of being fitted with our electric lifter for an extra cost.
- A large work area at the back of the machine which prevents the needle drag that can happen with large projects. Lifts up easily when needed and down when not (so it doesn't have to be open all the time). It has a very sturdy gate leg design with Quilters/ Patchworkers in mind but is ideal for all sewing projects.
- Shut the doors and it hides your machine away in a beautiful cabinet. No one would ever know.
- One acrylic flatbed inset plate cut to fit your sewing machine is included with this model.
- Arrives fully assembled.

One of our smallest unit to be fitted with our Horn Maxi air-lifter! (Type 1952)
Ideal for the new extra large sewing machines—such as the Pfaff Icon, Bernina 700 & 800 series, Brother V series, Janome Horizon Range and Husqvarna Epic's amongst others but its not just for larger machines its also ideal for all normal sized domestic sewing machines too!
(Take a look at page 36 to see how our air-lift works)



Beech, White